

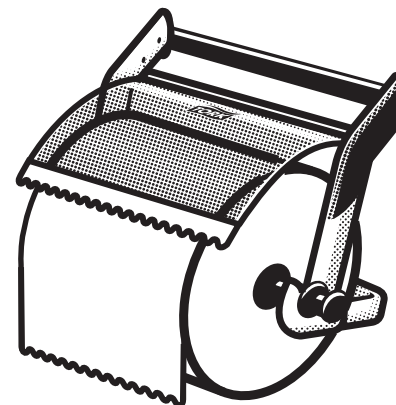
European Community Design Registration RCD 001149447

2012-12-05

# Wall Stand

W1

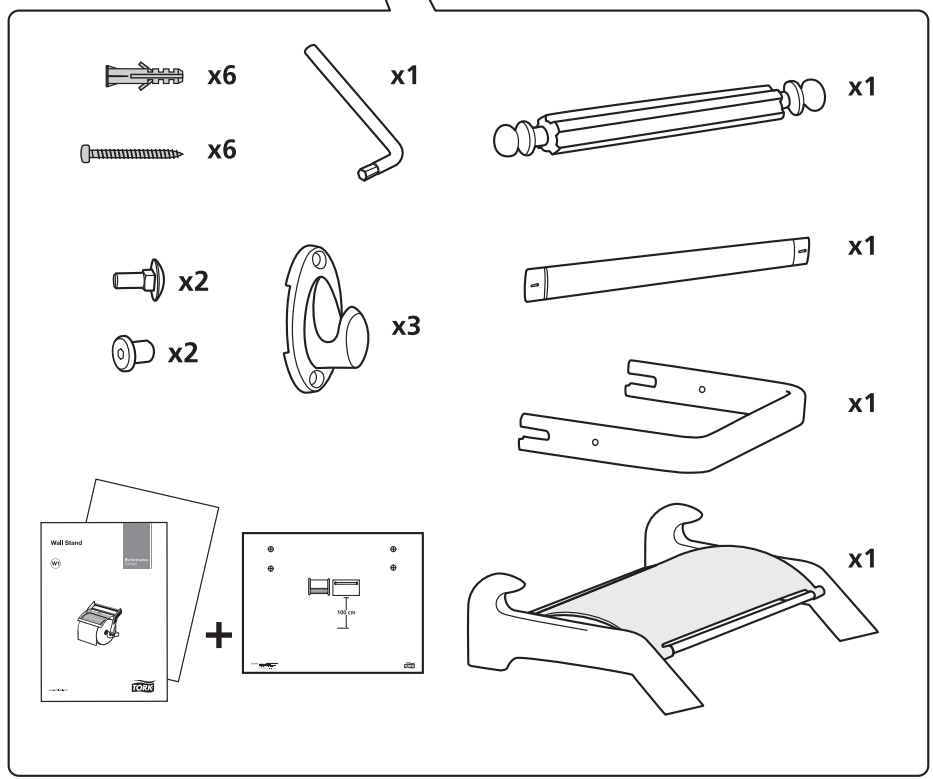
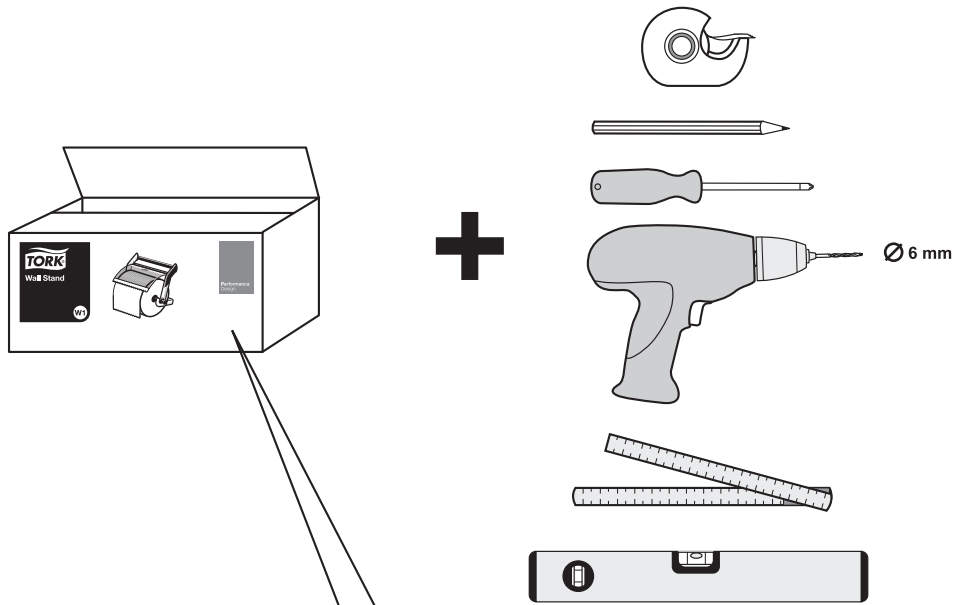
Performance  
Design



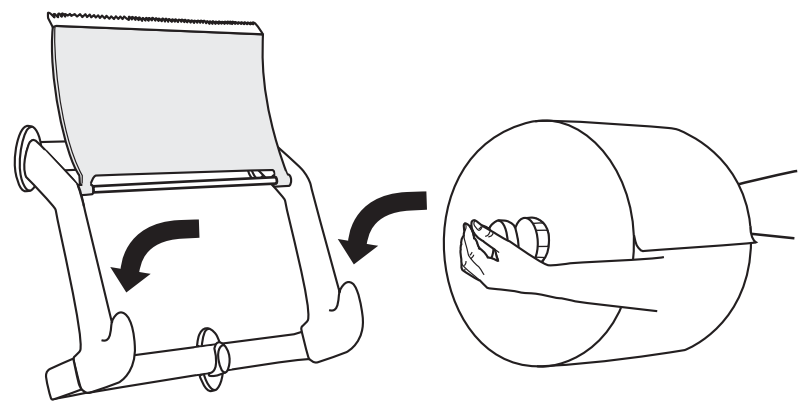
Manufactured by Essity Hygiene and Health AB  
SE-40503 Göteborg, Sweden  
Visiting address: Mölndals Bro 2, Mölndal  
www.essity.com, www.torkglobal.com  
Made in China  
Patents/Brevets/Patentes: www.essity.com/patents

[www.torkglobal.com](http://www.torkglobal.com)

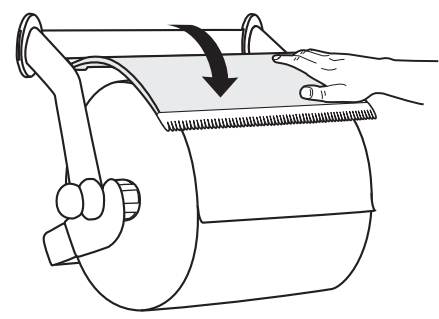




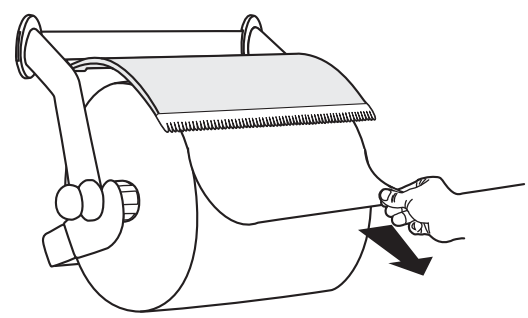
3.

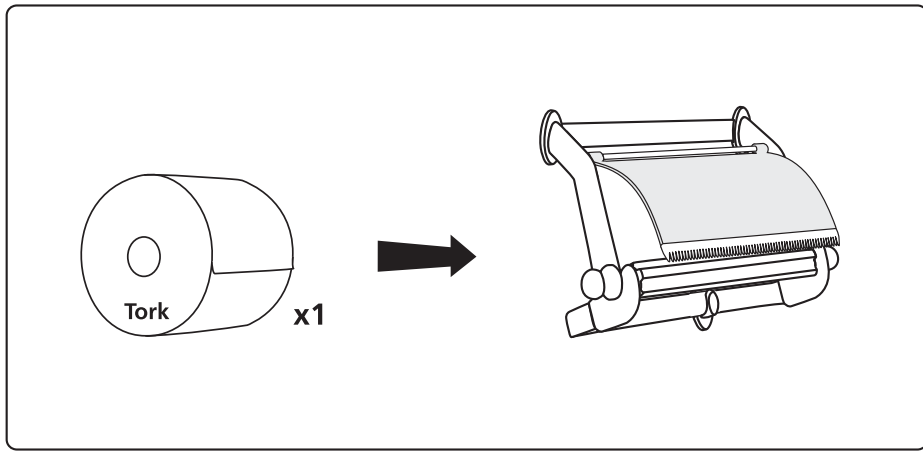


4.

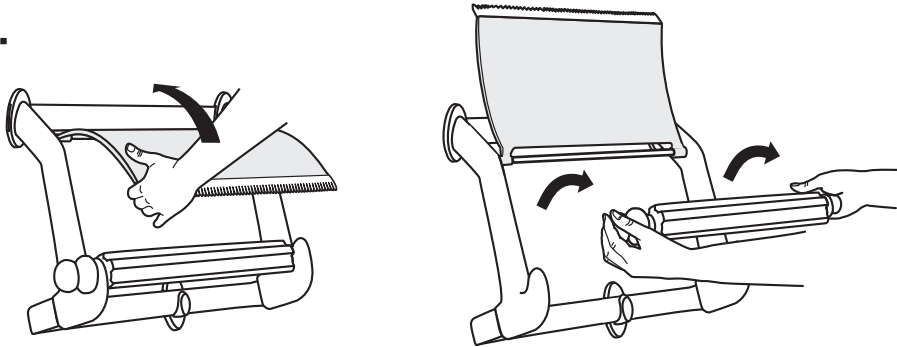


5.

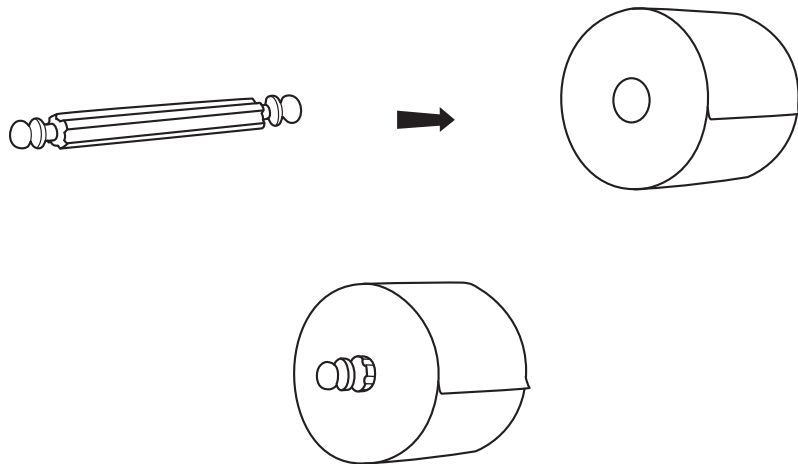




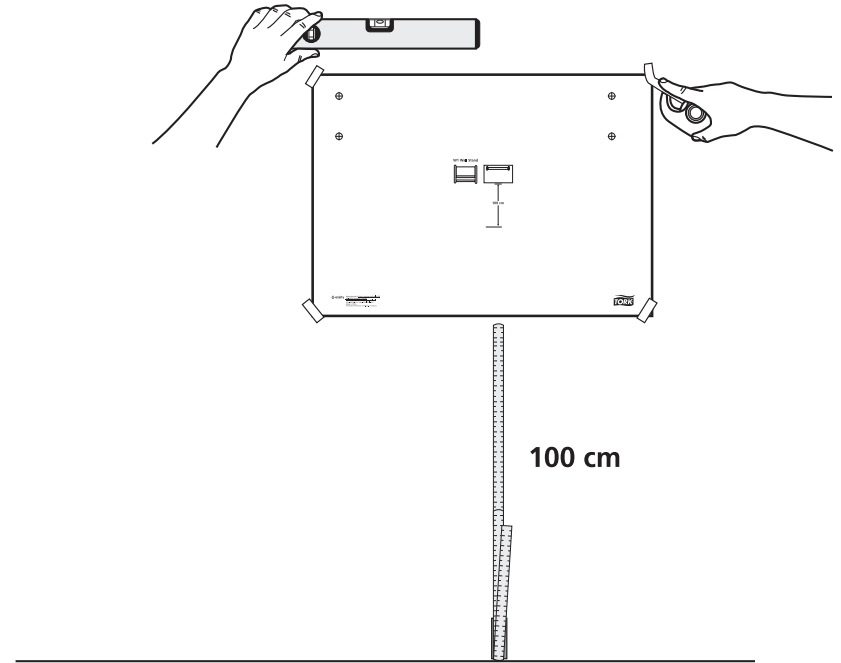
1.



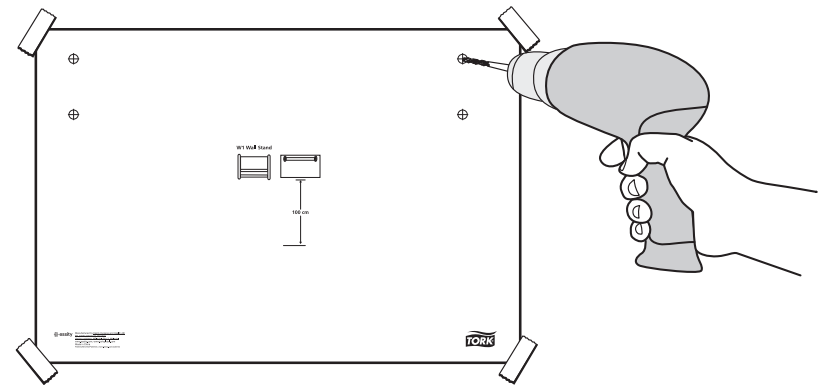
2.



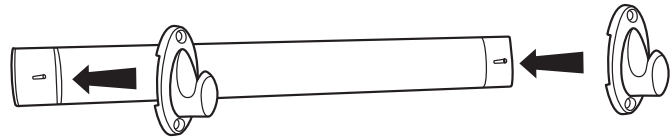
1.



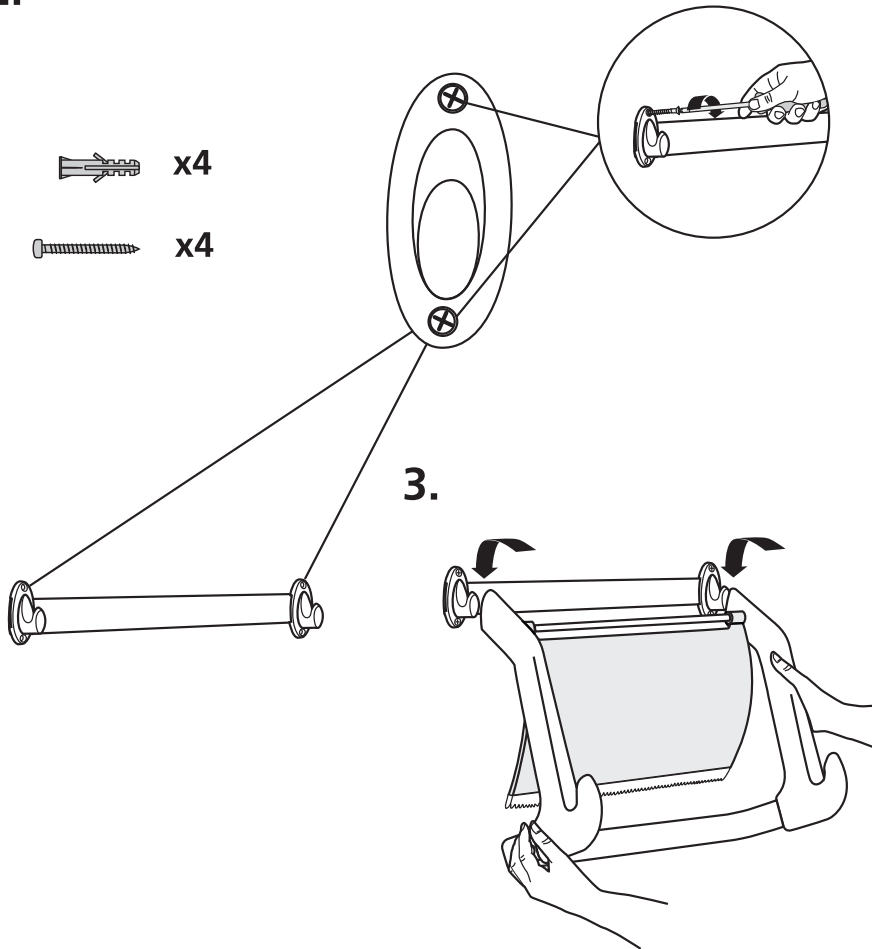
2.



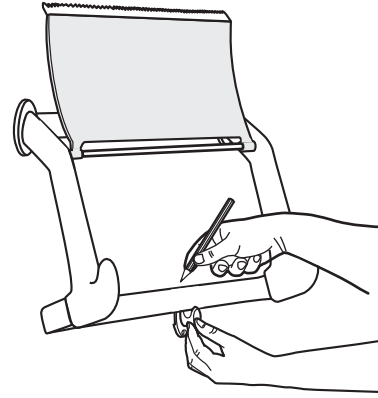
1.



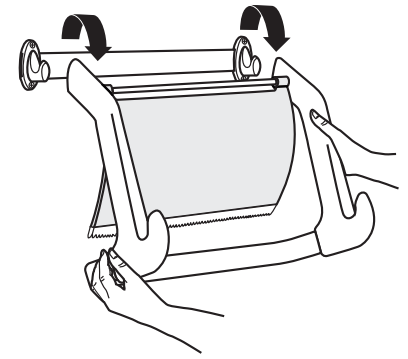
2.



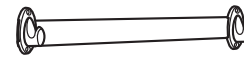
4.



5.



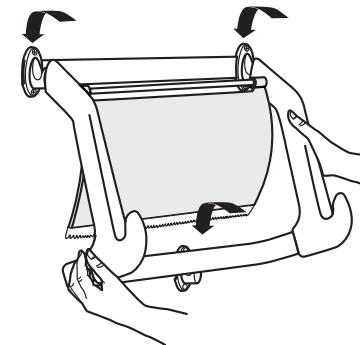
6.



7.



8.



9.

